

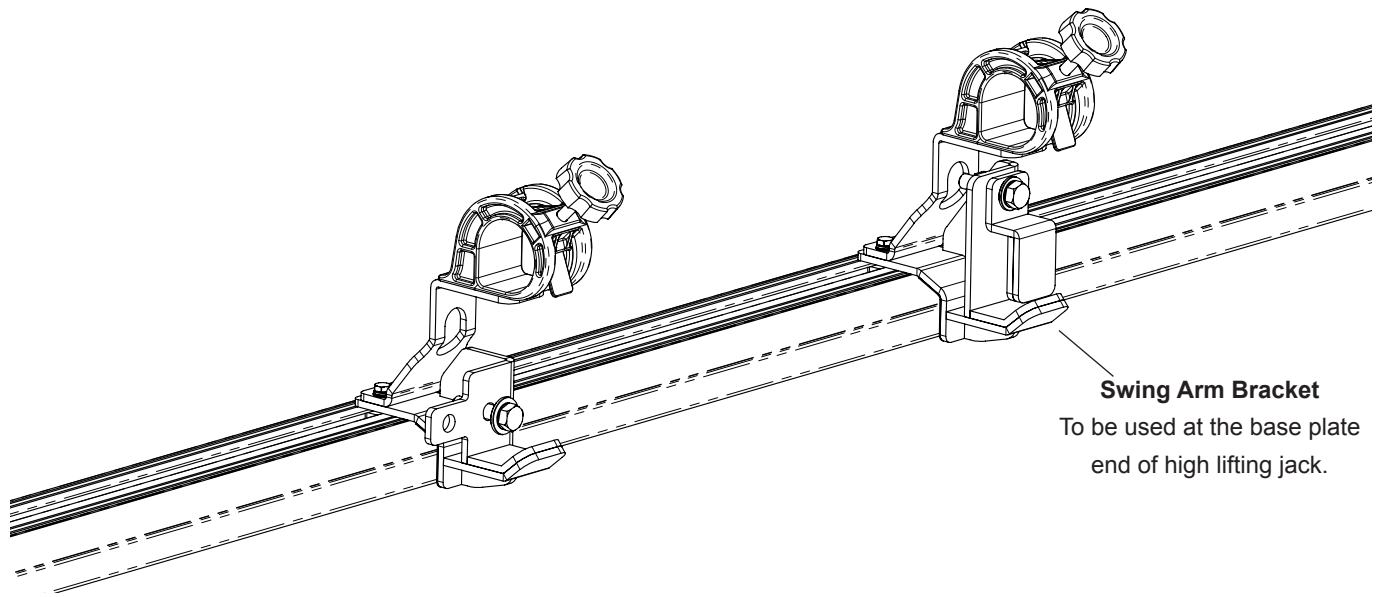


RHINO-RACK

43104 - Rhino Pioneer Combination Bracket

Place these instructions in the vehicle's glove box after installation is complete.

Important: Please read these instructions carefully prior to installation.
Please refer to your fitting instruction to ensure that the alloy tray is installed correctly.
Check the contents of this kit before commencing fitment and report any discrepancies.



| Item | Component Name | Qty | Part No. |
|------|---------------------------|-----|----------|
| 1 | Combination Bracket | 2 | C839 |
| 2 | M6 x 25mm Hex Screw | 4 | B067 |
| 3 | M6 Spring Washer | 4 | W004 |
| 4 | M6 x OD12.5mm Flat Washer | 4 | W003 |
| 5 | Fitting Instructions | 1 | RS-452 |

Care Instruction

Clean alloy tray prior to fitting the jack holder and combination brackets.

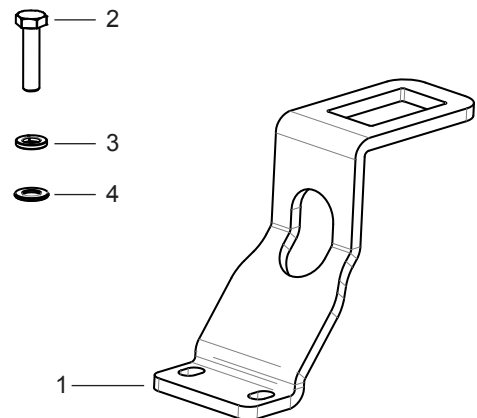
Tools Required

Allen Key (provided in kit)
10mm Spanner

NOTE: Shovel Holder and High Lifting Jack Brackets are **NOT** included in this RPCB Pioneer Combination Bracket Kit.

43101 Pioneer Jack Holder Bracket available separately.

43103 Pioneer Shovel Holder Bracket available separately.



Rhino-Rack
3 Pike Street, Rydalmere,
NSW 2116, Australia.
(Ph) (02) 9638 4744
(Fax) (02) 9638 4822

Document No: RS-452
Prepared By: Andy Wana
Authorised By: Chris Murty

Issue No: 06
Issue Date: 06/05/2013

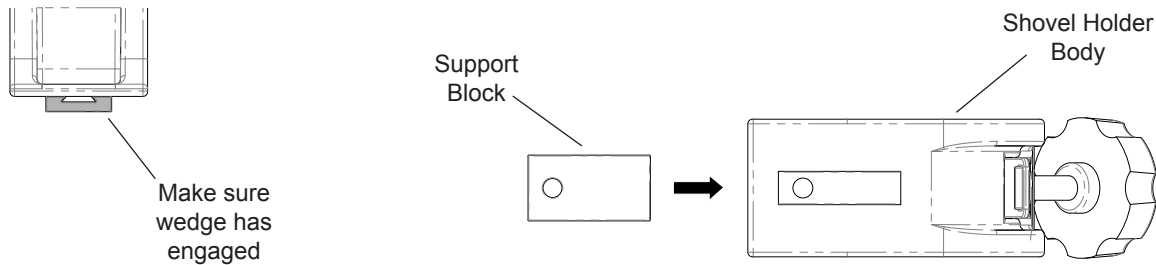
These instructions remain the property of Rhinorack Australia Pty Ltd and may not be used or changed for any other purpose than intended.



43104 - Rhino Pioneer Combination Bracket

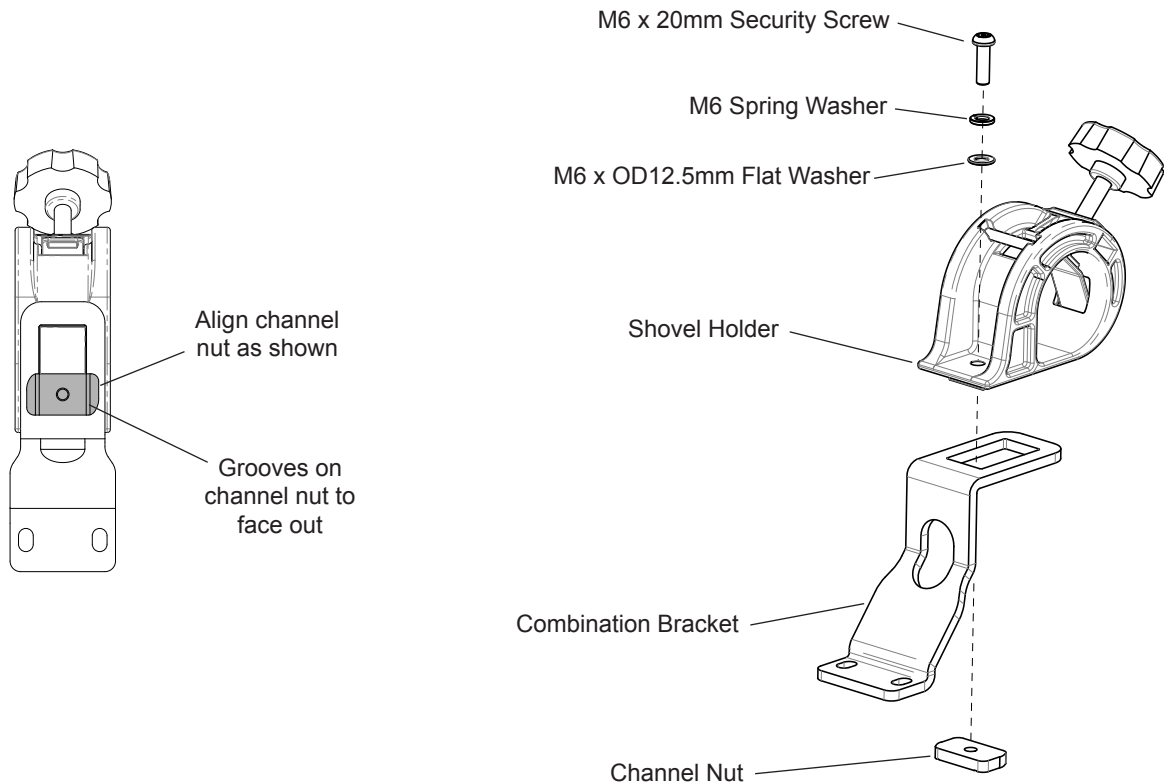
1 Slide Support Block onto Body

Slide the support block onto the shovel holder body until the hole lines up with the hole in the body. Make sure that the wedge shape is engaged as shown.



2 Assemble Shovel Holder to Bracket

Fit the shovel holder to the combination bracket as shown below using the hardware provided (supplied in kit RPSHB). Be sure when tightening the bolt that the channel nut sits in the correct orientation as shown, you may need a shifting spanner to stop the channel nut from rotating.



3 Remove Existing Security Screws From Kit

Remove the four security screws within the jack holder bracket kit (RPJHB kit). These will be replaced with the M6 x 25mm hex screws supplied in this combination bracket kit.

FITMENT NOTE:

The correct orientation for the jack to be transported in a safe and secure manner is detailed below. The jack holder brackets must be fitted in one of these locations:

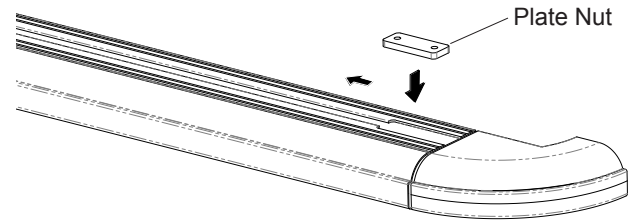
- Rear Left of tray** (with base plate of jack at rear of vehicle) or
- Front Right of tray** (with base plate of jack at front of vehicle)



43104 - Rhino Pioneer Combination Bracket

4 Insert Plate Nuts

Insert the plate nuts (supplied in kit RPJHB) into the slot at the front of the alloy tray. Slide the plate nuts to the location where the brackets are to be fitted.



5 Fit Brackets to Alloy Tray

Place the jack holder bracket on the alloy tray so it sits over the plate nut previously inserted. Hold in position and lower the combination bracket on top as shown. Fasten in position with the hardware supplied making sure that the two brackets remain square and are aligned at the edges (refer images below).

